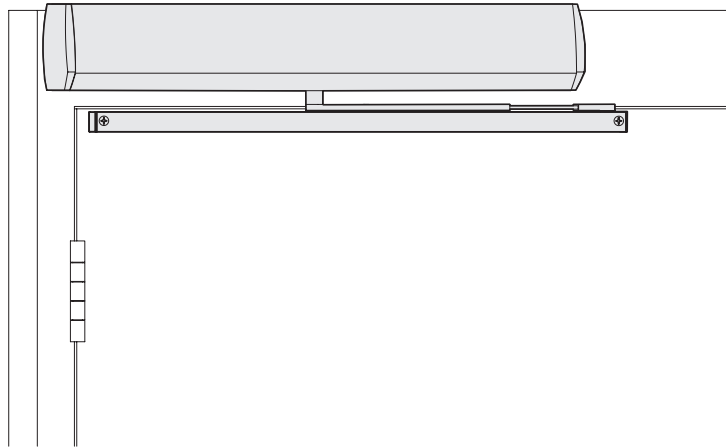


## SINGLE DOOR, SURFACE MOUNT (PULL) OFFSET PIVOT/BUTT HINGE



The 9130 BENCHMARK® by LCN is an electrically powered low-energy operator. It provides easy access for people with disabilities, the elderly or the frail. Designed primarily for automatic opening applications that occasionally require manual opening. The BENCHMARK® is a cost-effective solution for retrofitting an activated or manual door.

- ▶ Push 'N Go permits non-switch activation
- ▶ Adjustable opening and closing speed, all within ANSI guidelines and ADA codes
- ▶ Microprocessor control box ensures reliability
- ▶ Tested internally to over three million cycles
- ▶ Fast and easy installation

- ▶ 9130 series operator is shipped with motor gearbox, control box, mounting plate, standard arm, metal cover, standard track, wood and machine screw pack.
- ▶ Single door, surface mounted.
- ▶ ADA compliant.
- ▶ On/Off switch included as standard.
- ▶ Non-handed for either right or left swinging door.
- ▶ 27" cover is standard. Full length covers available up to 49" for single doors.

9130 Series is fully compliant with UL 325 and meets the provisions of ANSI A156.19. The 9130 Series is UL listed for fire-rated applications. The 9130 Series also meets the provisions of the Americans with Disabilities Act.

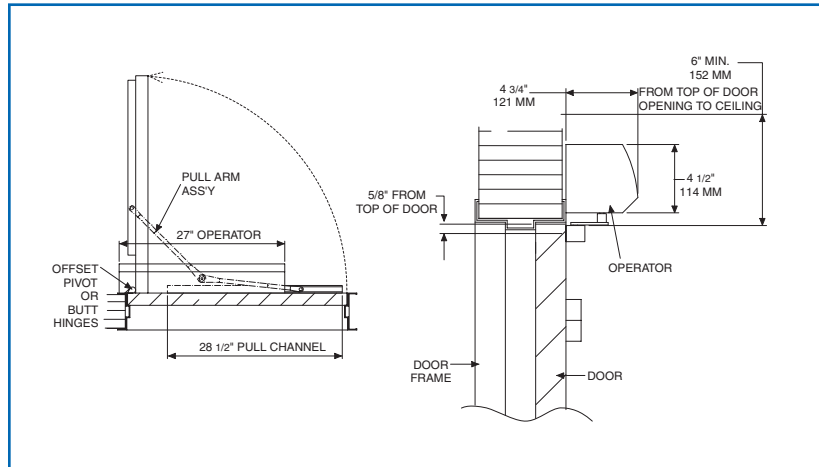
MOUNTING						HANDING		FINISH	COVER			ARM FUNCTION	
●	○	○	○	○	○	○	●	●	○	○	○	○	○
SURFACE MOUNT SINGLE DOOR						HANDED		STANDARD ANODIZED	STANDARD (SINGLE)			OFFSET PIVOT ARM	
SURFACE MOUNT SIMULTANEOUS PAIR						NON-HANDED		CUSTOM ANODIZED	REGULAR (DOUBLE)			CENTER PIVOT ARM	
SURFACE MOUNT INDEPENDENT PAIR								CUSTOM PAINT	DOUBLE EGRESS (PUSH/PULL)				
CONCEALED SINGLE DOOR								METAL					
CONCEALED SIMULTANEOUS PAIR													
CONCEALED INDEPENDENT PAIR													

● AVAILABLE  
○ NOT AVAILABLE

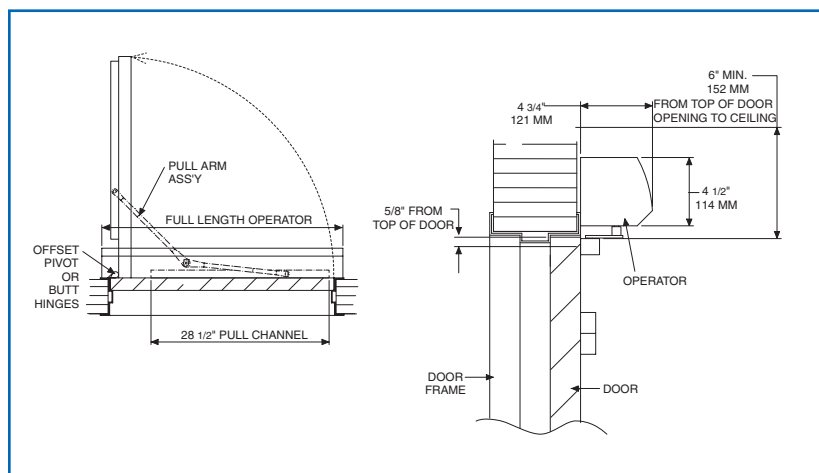
# LCN 9130 SERIES

## MOUNTING DETAILS

### TOP JAMB SINGLE DOOR (OFFSET/BUTT HINGE, PULL, STANDARD COVER) MOUNTING



### TOP JAMB SINGLE DOOR (OFFSET/BUTT HINGE, PULL, FULL COVER) MOUNTING



### MAXIMUM OPENING

Template allows 90 degree power opening and 90 degree manual opening.

- ▶ **Butt Hinges** should not exceed 5" (127 mm) in width.
- ▶ **Auxiliary Stop** is recommended.
- ▶ **Reveal** should not exceed 1/8" (3 mm).
- ▶ **Head Frame** minimum 2" (51 mm).
- ▶ **Top Rail** minimum 2" (51 mm).
- ▶ **Opening and Closing Time** are variable by adjustments to the electronic control module located on the operator assembly. Maximum hold-open time adjustable up to approximately 30 seconds.
- ▶ **System Diagram** see "POWER OPERATORS" section pages 28-29 for typical system wiring and page 30 for electrical data.
- ▶ Please consult your local SSC representative or LCN for assistance with specific installations and material requirements.

#### Special Templates

Customized installation templates or products may be available to solve unusual applications. Contact LCN for assistance.

## MOTOR GEARBOX

### **MOTOR GEARBOX ASSEMBLY, 9130-3454S**

Driving mechanism for operator. For 27" unit. Switch included.

### **MOTOR GEARBOX ASSEMBLY (W/O SWITCH), 9130-3454**

Driving mechanism for operator. For full length unit. Switch not included.

## BRACKETS

### **MOUNTING BRACKET, 9130-3018**

Standard mounting bracket.

### **SWITCH BRACKET – 29" CABLE, 9130-3351-1**

Bracket used to locate switch at end of cover on full length unit.

### **SWITCH BRACKET – 41" CABLE, 9130-3351-2**

Bracket used to locate switch at end of cover on full length unit.

### **SWITCH BRACKET – 51" CABLE, 9130-3351-3**

Bracket used to locate switch at end of cover on full length unit.

## CONTROL BOXES

### **CONTROL BOX, STANDARD (120v), 9130-3462**

Electronic controlling device (standard) for Benchmark.

### **CONTROL BOX, PREMIUM (120v), 9130-3462P**

Electronic controlling device (premium) for Benchmark.

## COVERS

### **METAL COVER, 9130-72MC**

Standard, 27", non-handed, extruded aluminum cover.

### **FULL METAL COVER, 9130-72FC**

Full length, non-handed, extruded aluminum cover. Specify length 36" to 49".

### **COVER INSERT 9130-163**

Used to cover operator shaft opening.

### **COVER END CAP INSERT, 9130-163-1**

Used to cover switch hole opening.

### **COVER END CAP, 9130-334**

Black plastic end caps.

## TRACKS

### **STANDARD TRACK, 9130-3038**

Standard, non-handed track.

### **TRACK END CAP, 9130-73**

Black plastic end caps.

## ARMS

### **STANDARD ARM, 9130-3077T**

Non-handed arm. Track roller not included.

# LCN 9130 SERIES

## ACCESSORIES

### INSTALLATION ACCESSORIES

#### **ROLLER, 9130-3034**

Quiet low friction roller assembly.

#### **HALL EFFECT ADAPTER HARNESS, 9130-3428-1**

Allows a prior model motor gearbox to work with a new control box. Encoder conversion. Used with 9130-3598-1 & 9130-3430-1.

#### **HALL EFFECT ADAPTER HARNESS, 9130-3428-2**

Allows a prior model control box to work with a new motor gearbox. Encoder conversion. Used with 9130-3598-2 & 9130-3430-2.

#### **POWER ADAPTER HARNESS, 9130-3598-1**

Allows a prior model motor gearbox to work with a new control box. AC Power conversion. Used with 9130-3428-1 & 9130-3430-1.

#### **POWER ADAPTER HARNESS, 9130-3598-2**

Allows a prior model control box to work with a new motor gearbox. AC power conversion. Used with 9130-3428-2 & 9130-3430-2.

#### **MOTOR ADAPTER CABLE, 9130-3430-1**

Allows a prior model control box to work with a new motor gearbox. Motor conversion. Used with 9130-3428-1 & 9130-3598-1.

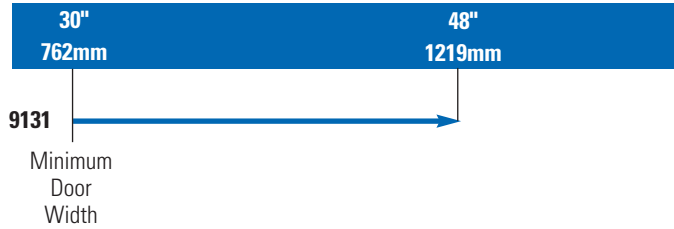
#### **MOTOR ADAPTER CABLE, 9130-3430-2**

Allows a prior model motor gearbox to work with a new control box. Motor conversion. Used with 9130-3428-2 & 9130-3598-2.

## TABLE OF SIZES

→ Indicates recommended range of door width for operator.  
 Note: For All Benchmark Series  
 30" minimum door width for 27" pull operator  
 36" minimum door width for full length pull operator

### DOOR WIDTH



## HOW-TO-ORDER 9130 SERIES OPERATORS

### 1. SPECIFY FINISH.

- Standard Anodized Finish \_\_\_\_\_  
 Aluminum or Dark Bronze

#### **Operator will be shipped with:**

- STANDARD MOTOR GEARBOX (SF)
  - STANDARD CONTROL BOX (SC)
  - MOUNTING BRACKET
  - 27" METAL COVER (CL27)
  - STANDARD ARM (3077T)
  - STANDARD TRACK w/TRACK ROLLER
  - WOOD and MACHINE SCREW PACK
- Unless options listed below are selected.*

## OPERATOR OPTIONS

### COVER

- Full Cover (CL\_\_\_\_\_) (Specify length 36" to 49")

### CONTROL BOX

- Premium (PC) \_\_\_\_\_

### SPECIAL TEMPLATE

- ST-\_\_\_\_\_

# Notes

Lined area for taking notes, consisting of 28 horizontal lines.